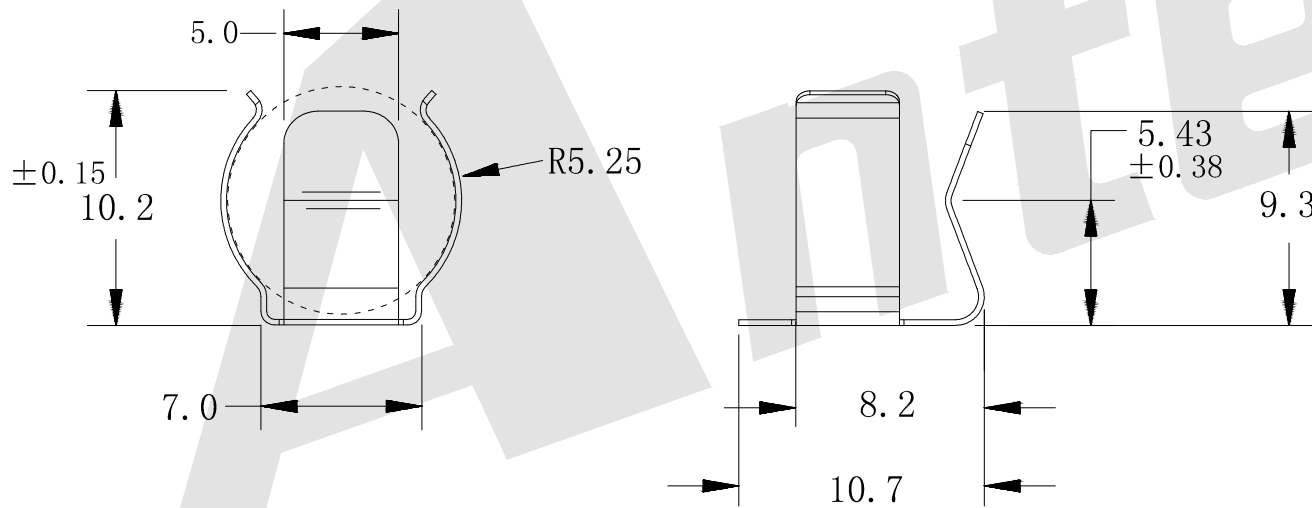
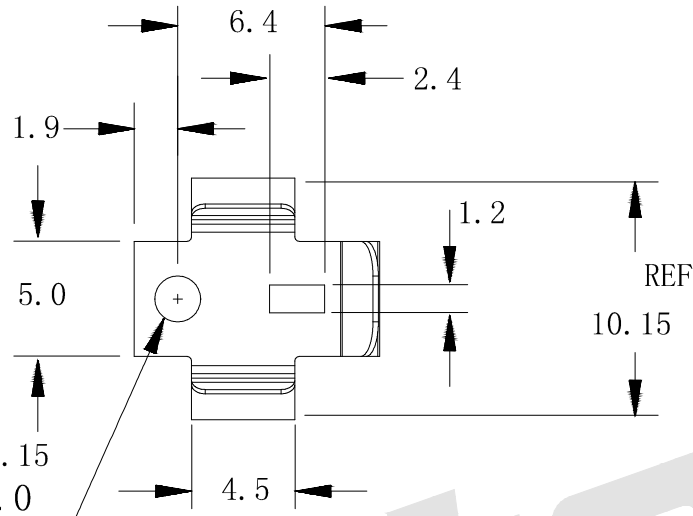
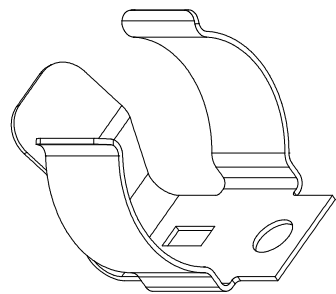


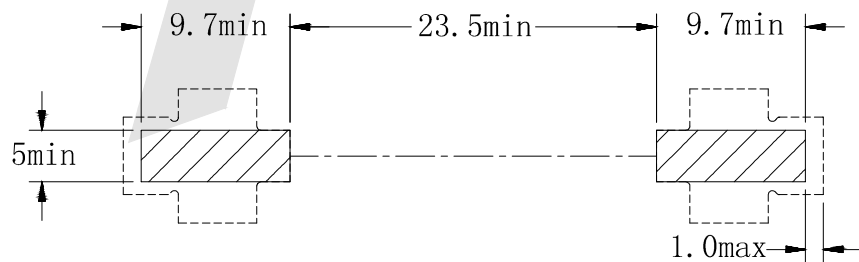
HSF



ROHS



MOUNTING PAD LAYOUT AAA



Also accepts:AAA
 Material 0.25 Spring stell nickel plated
 Coating parameters:4um
 Temperature range:-40° C - 270° C
 Voltage parameters:270V

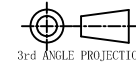
Order code:

BS - S - SI - R - CR159A
 ① ② ③ ④ ⑤

- ① BS: Battery contacts
- ② Apperance for the product
 M:SMT TYPE
 S:180 TYPE
 R:90 TYPE
- ③ Contact Plating
 SI: NICKEL Plated
 SN: Tin
 G0: Gold flash
 G1: 3U" Gold
 G2: 5U" Gold
 G3: 10U" Gold
 G4: 15U" Gold
 G5: 30U" Gold
- ④ Packing method
 A: Tray packing
 R: Tape & reel packing
- ⑤ Product number:
 CR159A

Unless Otherwise specified tolerance
 X. ±0.35 X.XX: ±0.20
 X.X: ±0.25 X.XXX: ±0.15

SCALE: As Shown UNIT: mm
 DRAW Lv Xun Hua DATE 23/05/2019
 CHECK BobYang DATE 23/05/2019



Antenk® ANTENK ELECTRONICS CO., LTD
 Http://www.antenk.com
 E-mail:sales@antenk.com

TITLE: Battery Contacts For CR159A

DRAWING NO: BS-S-SI-R-CR159A

PRODUCT NO: BS-S-SI-R-CR159A

REV	DESCRIPTION	DATE